



## SPECIFICATIONS

✓RoHS **ZDi** IP66 IK10

PRODUCT NAME	ZESTO
HOUSING	Body and equipment compartment in die-case aluminium
BOWL	Thermally tempered and screen printed flat glass
FINISH	Polyester powder coating, any colour available
SOURCES	BLS strips
COLOUR TEMPERATURE	Amber*, 2200 K, 2400 K, 2700 K, 3000K, 4000 K
OPTICAL	QUADRALENS
FLUX & POWER**	Up to 13626lm; 98W
ELECTRICAL CLASS	Class I or II
WIRING	Pre-wired at the factory
MOUNTING	Lateral

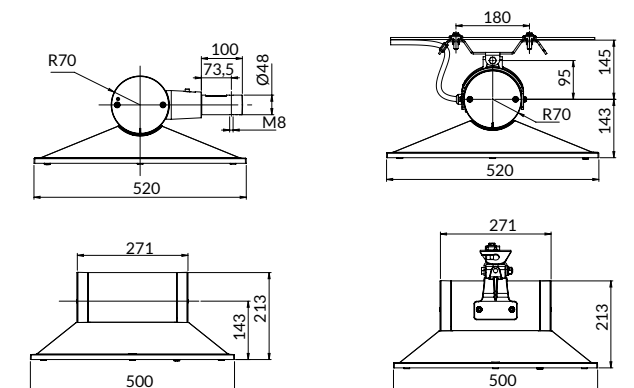
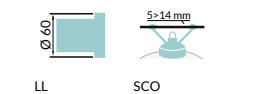
\*Approx. 1800K

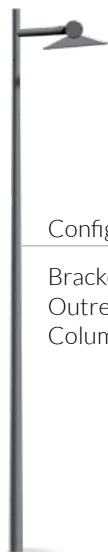
\*\*At 3000K, in accordance with performance standards IEC 62717 and IEC 62722 (+/-5%tolerance)



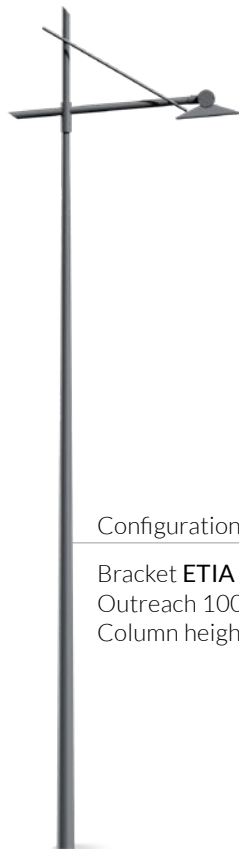
- ▶ Dimming
- ▶ Detection
- ▶ Tunable white options
- ▶ WIZARD management system (pag. 420)

## MECHANICAL INTERFACES





Configuration  
Bracket **PICO**  
Outreach 300 mm  
Column height: 4m



Configuration  
Bracket **ETIA**  
Outreach 1000 mm  
Column height: 6m



Configuration  
Bracket **CHANTEREINE**  
Outreach 1000 mm  
Column height: 6m



Configuration  
Bracket **ZESTO**  
Outreach 1000 mm