

# TOBIA E27

LARGE SIZE



E27 square lantern in classic style, made of shockproof resin material, UV-rays stabilized, rust and corrosion-free. Modular construction suitable for post top, hanging and wall installation. Provided with high temperature resistant ceiling suitable for ballast fixation. Insulation class II, protection rating IP 55.

*Lanterna quadra E27 in stile classico, realizzata in resina antiurto, stabilizzata ai raggi UV, inattaccabile da ruggine e corrosione. Idonea per il montaggio a palo, a sospensione o a parete. Fornita con soffitto ad alta resistenza al calore idoneo per il fissaggio dei reattori. Classe di isolamento II, grado di protezione IP55.*

E27 FILAMENT LED

**INDOOR & OUTDOOR USE**

+80°C  
-30°

90% HUMIDITY

VOLTAGE SURGE RESISTANT

DRIVER SILICONE PROTECTION

TUV 500



Q33.000.N2R






**TOBIA E27 - LANTERN COMPONENTS**

**IP55**



Decorative **PINNACLE** to be mounted on the roof top for post installation or on the lantern base for hanging installation.

**PINNACOLO** decorativo applicabile alla sommità del tetto (montaggio a palo) o sulla base della gabbia (montaggio a sospensione).

Lantern **ROOF** made of shockproof resin material. Tool-free opening for relamping and maintenance.

**TETTO** realizzato in resina antiurto. Removibile senza l'ausilio di attrezzi per manutenzione e cambio lampadina.

High temperature resistant reflective **CEILING** made of shockproof resin material. Provided with E27 lampholder and suitable for ballast fixation.

**SOFFITTO** riflettente realizzato in resina antiurto ad alta resistenza al calore. Fornito completo di portalamпада E27 e idoneo per il fissaggio dei reattori.

**DIFFUSER** of UV-rays stabilized PMMA, with recess for a power supply cable. One piece only closed at the base to ensure high protection against external agents.

**DIFFUSORE** in PMMA resistente ai raggi UV, provvisto di sede per l'alloggiamento del cavo di alimentazione. Realizzato in unico pezzo chiuso alla base per garantire un alto livello di protezione contro gli agenti esterni.

**CAGE** made of shockproof resin material, UV-rays stabilized, rust and corrosion-free.

**GABBIA** realizzata in resina antiurto, stabilizzata ai raggi UV, inattaccabile da ruggine e corrosione.

**TOBIA E27**

Q33.000 \*



**Dimensions and weight**

Height: 520 mm  
Width: 330 mm  
Depth: 330 mm  
Weight: 3,8 Kg  
Junction to support: diameter 60 mm  
Area exposed to wind pressure:  
CxS = m<sup>2</sup> 0,089

**Moulded colours:**

Black White

**Painted colours:**

Antique green Antique bronze

**Diffuser PMMA:**

Clear Opal

**E27**



E27 lantern supplied as an option with TÜV-CB certified, long-life and efficient **LED filament lamps suitable for outdoor use.**

100 - 240 V		*ADD. SUFFIX	
Suitable lamps: CFL-LED-SON-HQI MAX 70W	<b>E27</b> lampholder only	.E27	
<b>8W</b>	<b>1000 Lm</b>	4000 K 2700 K	.M1L .M1R
<b>12W</b>	<b>1500 Lm</b>	4000 K 2700 K	.N1L .N1R

**2x E27**



**2x E27** lantern provided as an option with TÜV certified, long-life and efficient **LED filament lamps suitable for outdoor use.** Version with daylight and motion sensor available.

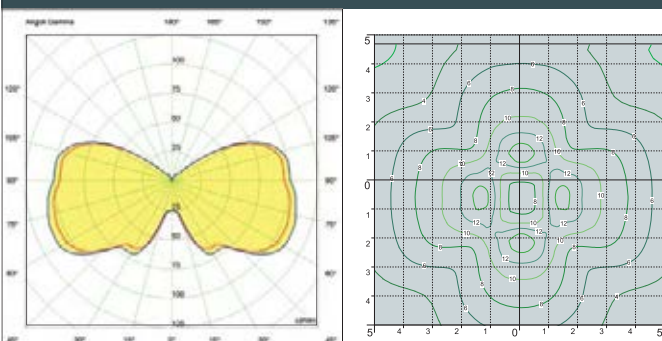
100 - 240 V		*ADD. SUFFIX	
Suitable lamps: CFL-LED max 160 mm	<b>2x E27</b> lampholder only	.E28	
	<b>2x E27</b> + SENSOR	.ES8	
2x 8 W <b>16W</b>	<b>2000 Lm</b>	4000 K 2700 K	.M2L .M2R
2x 12 W <b>24W</b>	<b>3000 Lm</b>	4000 K 2700 K	.N2L .N2R

**LED LAMPS**



Technical details on page 552.

**PHOTOMETRIC DATA SAMPLE**



**TOBIA** lantern clear SON 70W.

POST height 3.5mt  
10 x 10mt area: average 11 lux

The photometric data for all the versions are available upon request or on our website.

\* ADD THESE SUFFIXES TO THE REFERENCES MENTIONED IN THE CATALOGUE



COMPANY UP&DOWN DOWNLIGHT IN-GROUND BRICKLIGHT FLOODLIGHT BOLLARD BULKHEAD GARDEN URBAN CLASSIC URBAN MODERN POST LAMPS REFERENCES

# TOBIA

LARGE SIZE



Q33.157.Q1L



Q33.132.Q1L



Q33.156.Q1L



Q33.121.Q1L



Q33.113.Q1L



Q33.162.Q1L





**OFIR/TOBIA**  
Q33.132  
**GX53** Q35.132

Pcs 1  
Kg 5,6  
mc 0,061

**EVA/TOBIA**  
Q33.181  
**GX53** Q35.181

Pcs 1  
Kg 12,3  
mc 0,168

**TOBIA**  
Q33.000  
**GX53** Q35.000

Pcs 1  
Kg 4,6  
mc 0,043

**LOT/TOBIA**  
Q33.113  
**GX53** Q35.113

Pcs 1  
Kg 5,8  
mc 0,061

**MIRRA/TOBIA**  
Q33.142  
**GX53** Q35.142

Pcs 1  
Kg 10,9  
mc 0,083

**SICHEM/TOBIA**  
Q33.121  
**GX53** Q35.121

Pcs 1  
Kg 5,4  
mc 0,061

**RICU/TOBIA**  
Q33.157  
**GX53** Q35.157

Pcs 2  
Kg 29,2  
mc 0,334

**GIGI/TOBIA**  
Q33.156  
**GX53** Q35.156

Pcs 2  
Kg 27,7  
mc 0,304

**ARTU'/TOBIA**  
Q33.158  
**GX53** Q35.158

Pcs 2  
Kg 24,7  
mc 0,273

**ALOE'/TOBIA**  
Q33.163 resin  
**GX53** Q35.163 resin

Pcs 2  
Kg 15,2  
mc 0,208

**IAFET.R/TOBIA**  
Q33.162 resin  
**GX53** Q35.162 resin

Pcs 2  
Kg 14,5  
mc 0,179

COMPANY  
UP&DOWN  
DOWNLIGHT  
IN-GROUND  
BRICKLIGHT  
FLOODLIGHT  
BOLLARD  
BULKHEAD  
GARDEN  
URBAN CLASSIC  
URBAN MODERN  
POST  
LAMPS  
REFERENCES

# NEBO/TOBIA

LARGE SIZE



Q33.201.Q1L



Q33.142.Q1L



Q33.201.R20.Q1L



Q33.201.R30.Q1L



MADE IN ITALY



**NEBO OFIR/TOBIA 2L**  
Q33.201.R20

**GX53** Q35.201.R20

Pcs 1  
Kg 31,8  
mc 0,268

**NEBO OFIR/TOBIA 3L**  
Q33.201.R30

**GX53** Q35.201.R30

Pcs 1  
Kg 36,5  
mc 0,342

**NEBO/TOBIA**  
Q33.201

**GX53** Q35.201

Pcs 1  
Kg 25,6  
mc 0,196

Ø 275

**NEBO OFIR/TOBIA 2L**  
Q33.201.R20

**GX53** Q35.201.R20

Pcs 1  
Kg 31,9  
mc 0,268

Ø 275

**NEBO OFIR/TOBIA 3L**  
Q33.201.R30

**GX53** Q35.201.R30

Pcs 1  
Kg 36,5  
mc 0,342

Ø 275



COMPANY  
UP&DOWN  
DOWNLIGHT  
IN-GROUND  
BRICKLIGHT  
FLOODLIGHT  
BOLLARD  
BULKHEAD  
GARDEN  
URBAN CLASSIC  
URBAN MODERN  
POST  
LAMPS  
REFERENCES

# TABOR/TOBIA

LARGE SIZE



Q33.204.R20.Q1L



Q33.204.R30



Q33.204.N2R



MADE IN ITALY



**TABOR OFIR/TOBIA 2L**  
Q33.204.R20  
**GX53** Q35.204.R20

Pcs 1  
Kg 36,5  
mc 0,295

850

3130

2

**TABOR OFIR/TOBIA 3L**  
Q33.204.R30  
**GX53** Q35.204.R30

Pcs 1  
Kg 41,1  
mc 0,369

890

3130

3

**TABOR/TOBIA**  
Q33.204  
**GX53** Q35.204

Pcs 1  
Kg 30,1  
mc 0,223

330

3460

2

Ø 275

**TABOR OFIR/TOBIA 2L**  
Q33.204.R20  
**GX53** Q35.204.R20

Pcs 1  
Kg 36,5  
mc 0,295

850

3560

2

Ø 275

**TABOR OFIR/TOBIA 3L**  
Q33.204.R30  
**GX53** Q35.204.R30

Pcs 1  
Kg 41,1  
mc 0,369

890

3560

3

Ø 275



COMPANY  
UP&DOWN  
DOWNLIGHT  
IN-GROUND  
BRICKLIGHT  
FLOODLIGHT  
BOLLARD  
BULKHEAD  
GARDEN  
URBAN CLASSIC  
URBAN MODERN  
POST  
LAMPS  
REFERENCES

# HOREB/TOBIA

LARGE SIZE





**HOREB ADAM/TOBIA 1L**  
Q33.207.M10  
**GX53** Q35.207.M10

Pcs 1  
Kg 34,5  
mc 0,280

**ADAM/TOBIA**  
Q33.171  
**GX53** Q35.171

Pcs 1  
Kg 6,1  
mc 0,083

**HOREB ADAM/TOBIA 2+1**  
Q33.207.M21  
**GX53** Q35.207.M21

Pcs 1  
Kg 46,4  
mc 0,404

**HOREB/TOBIA**  
Q33.207  
**GX53** Q35.207

Pcs 1  
Kg 32,6  
mc 0,249

Ø 275

**HOREB ADAM/TOBIA 3+1**  
Q33.207.M31  
**GX53** Q35.207.M31

Pcs 1  
Kg 52,4  
mc 0,476

Ø 275

**HOREB ADAM/TOBIA 3L**  
Q33.207.M30  
**GX53** Q35.207.M30

Pcs 1  
Kg 47,8  
mc 0,414

**HOREB ADAM/TOBIA 2L**  
Q33.207.M20  
**GX53** Q35.207.M20

Pcs 1  
Kg 41,8  
mc 0,342

COMPANY  
UP&DOWN  
DOWNLIGHT  
IN-GROUND  
BRICKLIGHT  
FLOODLIGHT  
BOLLARD  
BULKHEAD  
GARDEN  
URBAN CLASSIC  
URBAN MODERN  
POST  
LAMPS  
REFERENCES

# KARMEL 3000/TOBIA

LARGE SIZE



Q33.231.R20.Q1L



Q33.231.R30.Q1L

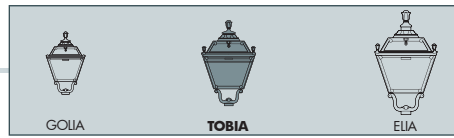


Q33.231.Q1L



MADE IN ITALY





**KARMEL 3000 OFIR/TOBIA 2L**  
Q33.231.R20  
GX53 Q35.231.R20

Pcs 1  
Kg 36,5  
mc 0,295

**KARMEL 3000 OFIR/TOBIA 3L**  
Q33.231.R30  
GX53 Q35.231.R30

Pcs 1  
Kg 41,1  
mc 0,369

**KARMEL 3000/TOBIA**  
Q33.231  
GX53 Q35.231

Pcs 1  
Kg 30,1  
mc 0,223

**KARMEL 3000 OFIR/TOBIA 2L**  
Q33.231.R20  
GX53 Q35.231.R20

Pcs 1  
Kg 36,5  
mc 0,295

**KARMEL 3000 OFIR/TOBIA 3L**  
Q33.231.R30  
GX53 Q35.231.R30

Pcs 1  
Kg 41,1  
mc 0,369

COMPANY  
UP&DOWN  
DOWNLIGHT  
IN-GROUND  
BRICKLIGHT  
FLOODLIGHT  
BOLLARD  
BULKHEAD  
GARDEN  
URBAN CLASSIC  
URBAN MODERN  
POST  
LAMPS  
REFERENCES

# KARMEL 3500-4000/TOBIA

LARGE SIZE



Q33.234.M21.Q1L

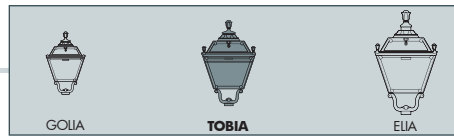


Q33.171.Q1L

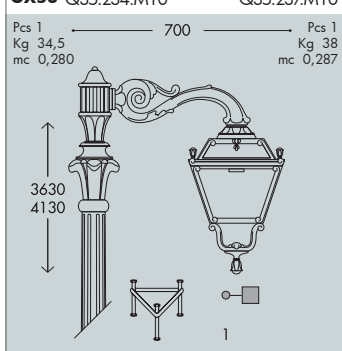


Q33.234.M20.Q1L

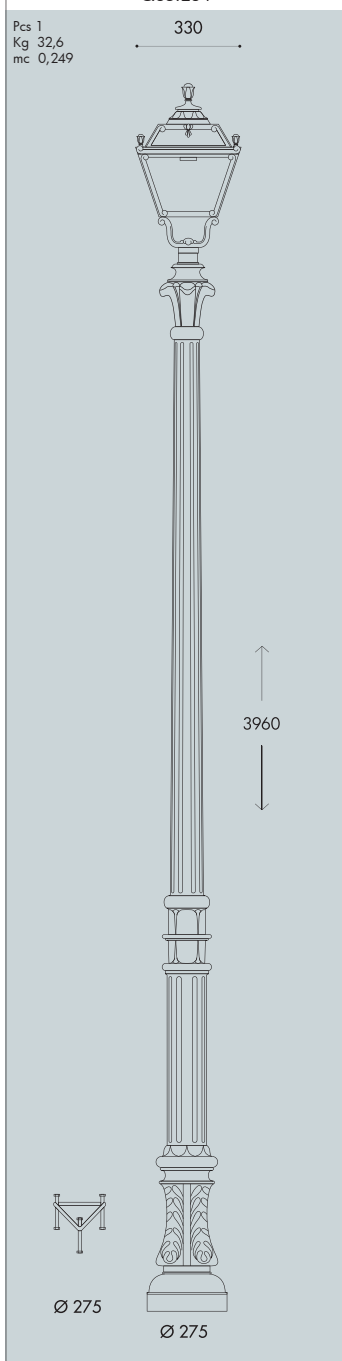




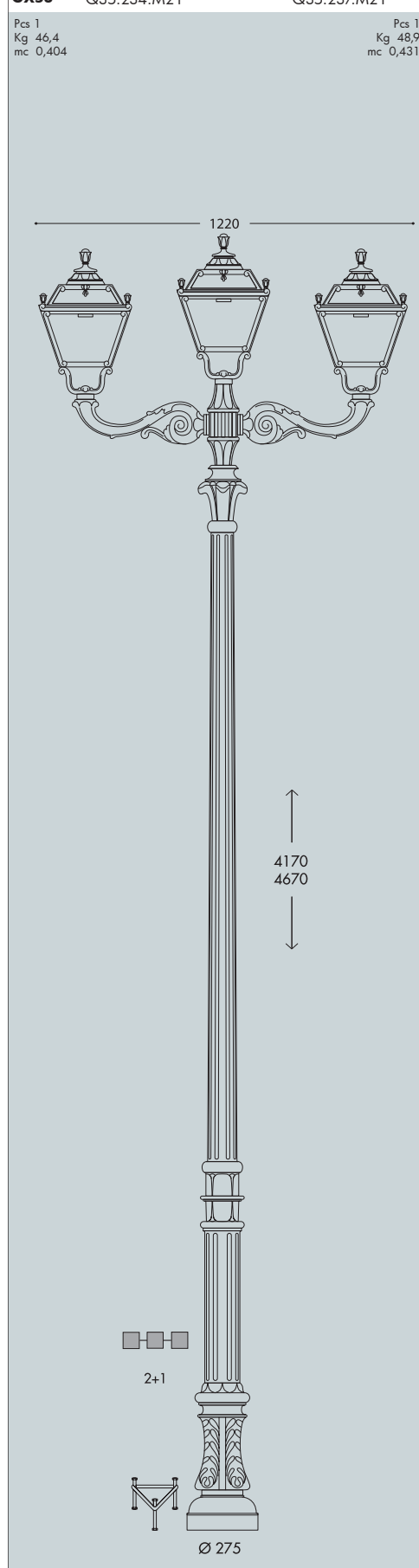
KARMEL 3500 ADAM/TOBIA 1L	KARMEL 4000 ADAM/TOBIA 1L
Q33.234.M10	Q33.237.M10
<b>GX53</b> Q35.234.M10	Q35.237.M10
Pcs 1 Kg 34,5 mc 0,280	Pcs 1 Kg 38 mc 0,287



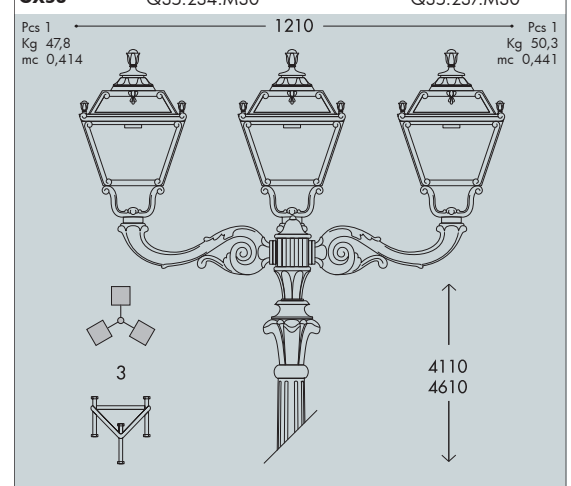
KARMEL 3500/TOBIA
Q33.234
<b>GX53</b> Q35.234
Pcs 1 Kg 32,6 mc 0,249



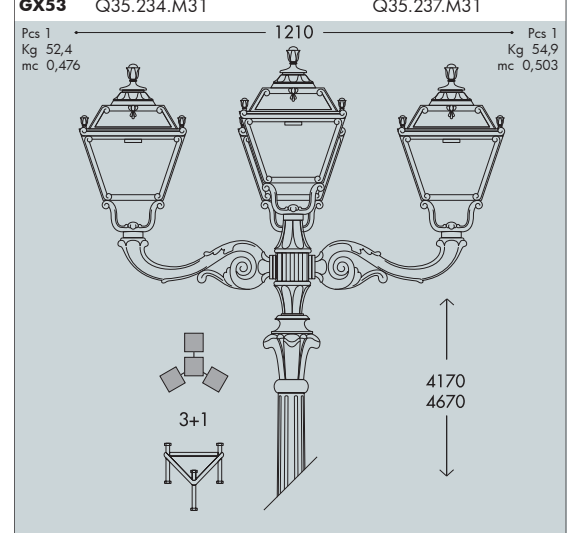
KARMEL 3500 ADAM/TOBIA 2+1	KARMEL 4000 ADAM/TOBIA 2+1
Q33.234.M21	Q33.237.M21
<b>GX53</b> Q35.234.M21	Q35.237.M21
Pcs 1 Kg 46,4 mc 0,404	Pcs 1 Kg 48,9 mc 0,431



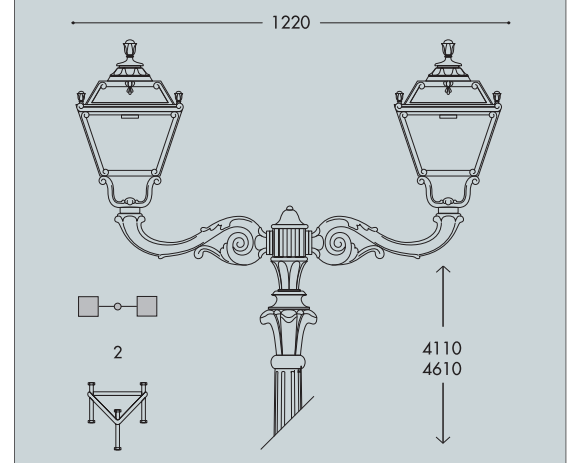
KARMEL 3500 ADAM/TOBIA 3L	KARMEL 4000 ADAM/TOBIA 3L
Q33.234.M30	Q33.237.M30
<b>GX53</b> Q35.234.M30	Q35.237.M30
Pcs 1 Kg 47,8 mc 0,414	Pcs 1 Kg 50,3 mc 0,441



KARMEL 3500 ADAM/TOBIA 3+1	KARMEL 4000 ADAM/TOBIA 3+1
Q33.234.M31	Q33.237.M31
<b>GX53</b> Q35.234.M31	Q35.237.M31
Pcs 1 Kg 52,4 mc 0,476	Pcs 1 Kg 54,9 mc 0,503



KARMEL 3500 ADAM/TOBIA 2L	KARMEL 4000 ADAM/TOBIA 2L
Q33.234.M20	Q33.237.M20
<b>GX53</b> Q35.234.M20	Q35.237.M20
Pcs 1 Kg 41,8 mc 0,342	Pcs 1 Kg 44,3 mc 0,369



COMPANY  
UP&DOWN  
DOWNLIGHT  
IN-GROUND  
BRICKLIGHT  
FLOODLIGHT  
BOLLARD  
BULKHEAD  
GARDEN  
URBAN CLASSIC  
URBAN MODERN  
POST  
LAMPS  
REFERENCES