



MOANA

Luminaire design: Eclatec

MOANA succeeds in bringing opposites together; the wise fluidity of its lines tempers the force of its intentions; its spirit expresses itself with restraint and an elegant sobriety houses an assertive character.

This fortunate balance opens up a brace of possibilities for **MOANA**, from functional use to decorative applications, particularly in association with pins and cross-arms in cast aluminium.



TABLED 2 MODULE



INTEGRATED BLS STRIPS



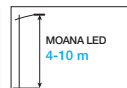
Moana on Musa bracket



Moana on Laslo bracket



Moana on Reva bracket



MOANA TABLED 2



MOANA BLS



APPLICATIONS

- Mounting: si entry and top with bracket
- Recommended heights: 4 to 10 m
- Urban routes, pedestrian walkways, cycle paths, squares, parks and pedestrian areas

DESCRIPTION

- Injection die-cast aluminium body
- Control gear integrated on a removable tray, disconnectable without tools
- Polyester powder coating, any colour available
- IP 66
- Class I or II
- 2 types of sources:
 - TABLED 2** module:
 - with a TABLENS mono lens in PMMA, **IK 07**
 - colour temperature: 4000 K and 3000 K
 - BLS strips:**
 - equipped with **QUADRALENS** lenses and bowl in thermally toughened and printed glass, **IK 10**
 - colour temperature: 2400K, 2700K, 4000 K and 3000 K

RETROFIT

- The **TABLED 2** module can be used to equip Moana luminaires that were initially equipped with discharge lamps.

CITIZEN REFERENCE POINTS

- Materials used:
 - TABLED 2: Aluminium 85%, Plastic 6%, Other 5%, Steel 4%
 - BLS: Aluminium 75%, Glass 12%, Steel 7%, Plastic 4%, Other 2%
- Complies with the RoHS directive
- High recyclability rate

WATERPROOFING

- IP 66 waterproofing in accordance with the standard EN 60 529
- Extruded pneumatic silicone gasket
- Cable gland with anchoring device
- Breathing system with activated carbon filter

MECHANICAL INTERFACES

- **D48:** side female for exterior Ø 48 mm bracket
- **LL54:** side male mounting for Ø 60 mm steel bracket (see page 278 - F)
- **LL48:** side male mounting for Ø 60 mm aluminium bracket (see page 278 - E)
- Top or bitop fixation, Reva male top fastening for pole Ø 60/62 mm (see page 278 - D)



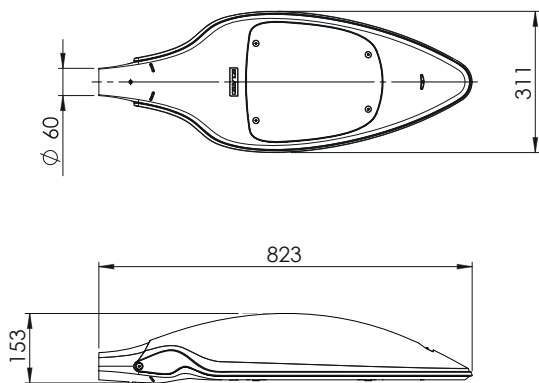
(1)

Lateral penetrating for steel cross-arm



(2)

Lateral penetrating for aluminium cross-arm



KEY POINTS

		MOANA
Applications		Urban routes, pedestrian walkways, cycle paths, squares, parks and pedestrian areas
Recommended heights		4 to 10 m
Mounting		Side entry and top with bracket
Dimensions	Length	823 mm
	width	312 mm
	height	162 mm
Weight		TABLED 2 : 11,6 kg / BLS: 6,8 kg
Windage area		0,07 m ²
Source		TABLED 2
Sources access		BLS strips
Sources access		Luminaire opens without tools Removable TABLED 2 module Access to BLS after removal of the bowl attached with 4 screws
Optics and light distribution options		TABLENS: ERS, ERL, LRM QUADRALENS: ERS, ERL, ERE, LRS, LRL, PFA, EPD, EPG, ETS, ECa
OPTIONS	Backlight shield⁽¹⁾ (factory or site assembly)	○
	SMART-READY[®] (2) by Eclatec (construction)	○
	DALI (construction)	○
	Dimming 5 (preset)	○
	CLO (preset)	Compatible with standard version, Dimming 5 and DALI option
	Motion COM (setting on site)	○
	Motion P (set in the bottom of the pole)	○
	POLEDRIVE (set in the bottom of the pole)	○

(1) Backlight shield optional except for EPD, EPG, ECa

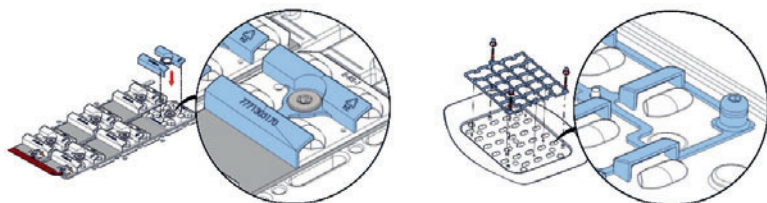
(2) Preconfigured communicating system: Wired Sensor Ready type driver and Zhaga consortium base. Tabled version: be sure to hold the connector when installing the module

Glossary:

- Standard ○ Option - Not available

E/L/P: Lighting/Luminance/Projection, **R/C/T/F/P:** Road/Circulation/Path/Beam/Pedestrian walkway, **E/S/L/A/D/G:** Narrow/Standard/Wide/Asymmetric/Right/Left, **POLEDRIVE:** preset at the bottom of the pole / night dimming calculator with 2 configurable thresholds, set in the bottom of the pole, **Dimming 5:** night dimming calculator with 5 configurable thresholds, **Motion:** moving sensor, **Motion P:** Configurable offset presence detector at the foot of the pole, **Motion DALI:** Detector integrated to the luminaire, adjustable at pole base, **Motion 5:** Motion sensor and dimming calculator, **Motion COM:** Wireless detection and communication, **DALI:** compatible with the DALI protocol, **CLO:** Constant Lumen Output option

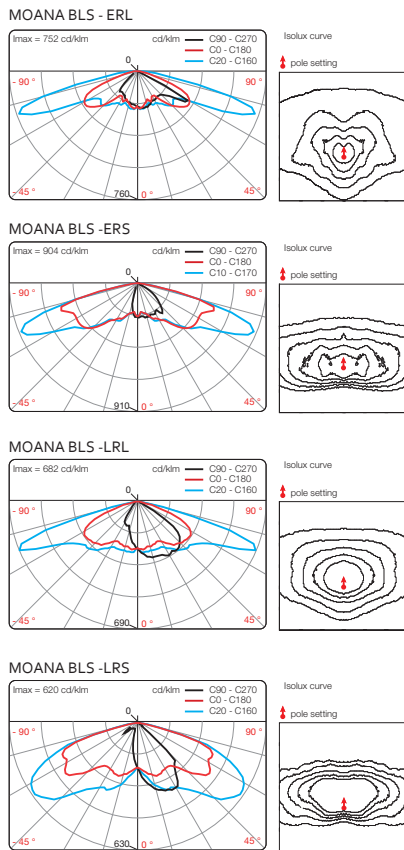
BACKLIGHT SHIELD



Backlight shield BLS version

Backlight shield TABLED 2 version

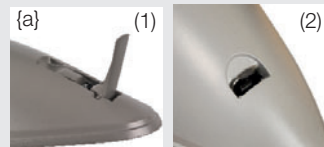
PHOTOMETRIC DISTRIBUTIONS



MAINTENANCE

Opening and closing

Ergonomic opening handle, easily accessible and manoeuvrable at the front of the luminaire {a}
The upper cover is held in the open position by a safety prop {b}
Cutting of the power supply when the luminaire is opened



TABLED 2 Maintenance (1)

Direct access to the equipment and the TABLED 2 module once the cover is opened
Integrated equipment on circuit board that can be removed and disconnected without tools
Electrical connection by quick connectors

BLS Maintenance (2)

Direct access to the equipment once the cover is opened.
Access to BLS after removal of the bowl attached with 4 screws



LED Luminaires

Modern Streetfurniture

Waste bins

Bollards Light

tree grill

Bollards

Classic poles cast iron

Steel poles

MODERN POLES CAST IRON

Defence bollards

Drinkwater fountain

SEATING

TRAMWAY POLES

Modern LED luminaires

Classic luminaires

Classic street furniture

Ghm

Rue Antoine Durenne
52220 Sommevoire
France
Tel nr. 0033 3 25 55 23 03

ECLATEC

41 rue Lafayette
54320 Maxeville
France
Tel nr. 0033 3 83 39 38 28

Export internet : www.ghm-eclatec.com

Email export: info@ghm-eclatec.com