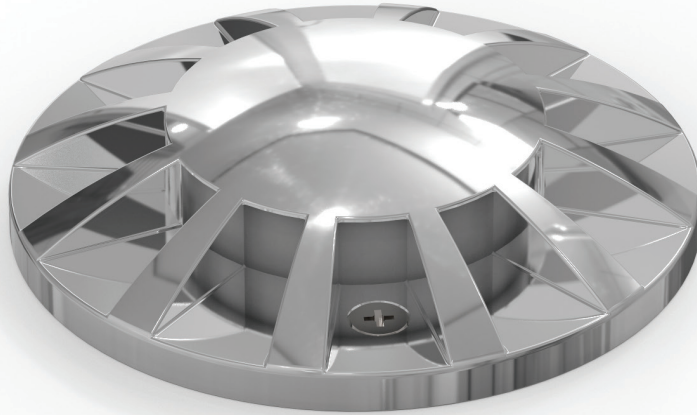
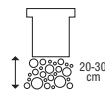


# LITHOS



## Technical Features

- Aluminium or stainless steel body.
- Thermoplastic mounting base.
- Tempered protection glass.
- Silicon gasket.
- Pure light without IR/UV radiation.
- Operation life: 50,000 hours with efficiency > 80% of the initial luminous flux (L80B10).



**Note:** For the proper installation of the fitting an effective drainage as well as a 20-30cm deep layer of gravel must be intended for dewatering.



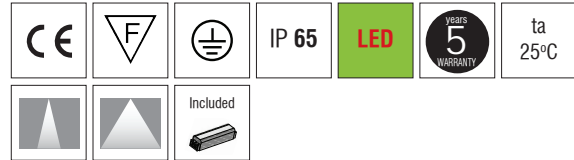
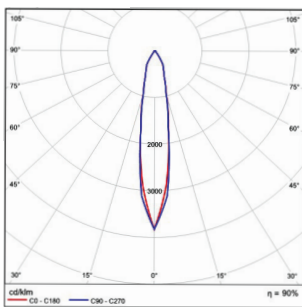
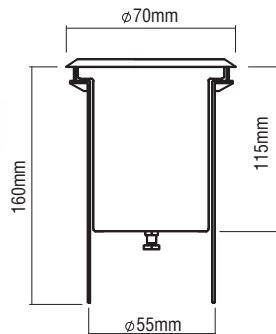
To ensure the degree of protection the use of flexible power supply cable type H07RN-F is required.



Temperature on glass surface.

# LITHOS

## LITHOS S



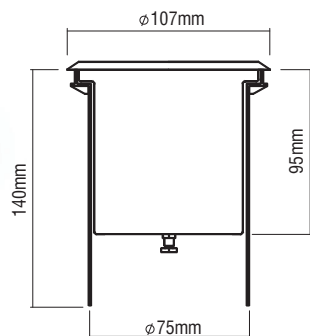
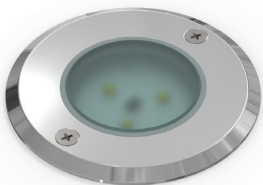
- Aluminium body.
- High efficient reflectors in Medium and Wide versions.
- Tempered protection glass.
- Silicon gasket.
- Thermoplastic housing.
- 230V/50Hz.
- Supplied with 3x0,75mm NEOPRENE 1m cable.
- CRI: min. 80 / SDCM: 3
- Luminous Efficacy:  
5W 4000K 100 Lm/Watt 500mA  
5W 3000K 96 Lm/Watt 500mA



- Roll over weight max. 1000kg with minimum speed drive 20km/h.

Code	Description	Kg
84230	LITHOS S LED 5W IP65	0,800

## LITHOS M1



- Inox stainless steel body and trim.
- Tempered protection glass.
- Silicon gasket.
- Thermoplastic housing.
- 230V/50Hz.
- Supplied with 3x0,75mm NEOPRENE 1m cable.
- CRI: min. 80 / SDCM: 3
- Luminous Efficacy:  
3W 4000K 107 Lm/Watt 350mA  
3W 3000K 100 Lm/Watt 350mA

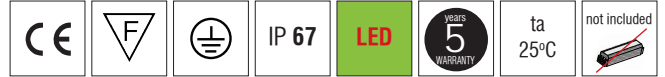
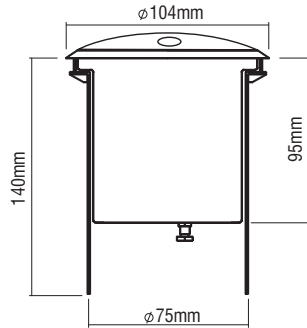


- Roll over weight max. 1000kg with minimum speed drive 20km/h.

Code	Description	Kg
842315	LITHOS M1 LED 3W IP67 Neutral	0,800
842325	LITHOS M1 LED 3W IP67 Warm	0,800
800036	LED DRIVER 350mA 18W IP67	0,100

# LITHOS

## LITHOS M2

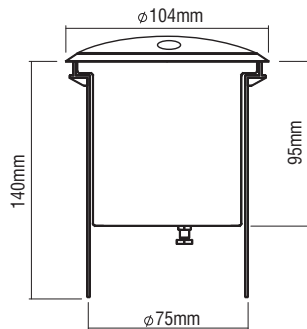


- Inox stainless steel body and trim.
- Tempered protection glass.
- Silicon gasket.
- Thermoplastic housing.
- 230V/50Hz.
- Supplied with 3x0,75mm NEOPRENE 1m cable.
- CRI: min. 80 / SDCM: 3
- Luminous Efficacy:  
4W 4000K 135 Lm/Watt 350mA  
4W 3000K 127 Lm/Watt 350mA

- Roll over weight  max. 1000kg with minimum speed drive 20km/h.

Code	Description	Kg
842335	LITHOS M2 LED 4W IP67 Neutral	0,800
842345	LITHOS M2 LED 4W IP67 Warm	0,800
800036	LED DRIVER 350mA 18W IP67	0,100

## LITHOS M3



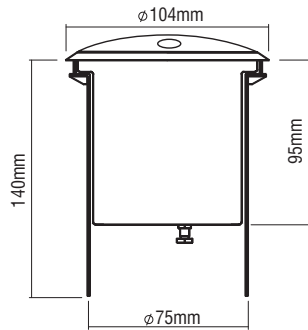
- Inox stainless steel body and trim.
- Tempered protection glass.
- Silicon gasket.
- Thermoplastic housing.
- 230V/50Hz.
- Supplied with 3x0,75mm NEOPRENE 1m cable.
- CRI: min. 80 / SDCM: 3
- Luminous Efficacy:  
4W 4000K 135 Lm/Watt 350mA  
4W 3000K 127 Lm/Watt 350mA

- Roll over weight  max. 1000kg with minimum speed drive 20km/h.

Code	Description	Kg
842355	LITHOS M3 LED 4W IP67 Neutral	0,800
842365	LITHOS M3 LED 4W IP67 Warm	0,800
800036	LED DRIVER 350mA 18W IP67	0,100

# LITHOS

## LITHOS M4

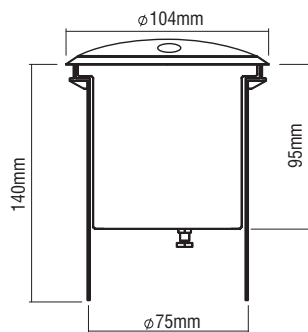


- Inox stainless steel body and trim.
- Tempered protection glass.
- Silicon gasket.
- Thermoplastic housing.
- 230V/50Hz.
- Supplied with 3x0,75mm NEOPRENE 1m cable.
- CRI: min. 80 / SDCM: 3
- Luminous Efficacy:  
4W 4000K 135 Lm/Watt 350mA  
4W 3000K 127 Lm/Watt 350mA

- Roll over weight  max. 1000kg with minimum speed drive 20km/h.

Code	Description	Kg
842375	LITHOS M4 LED 4W IP67 Neutral	0,800
842385	LITHOS M4 LED 4W IP67 Warm	0,800
800036	LED DRIVER 350mA 18W IP67	0,100

## LITHOS M5



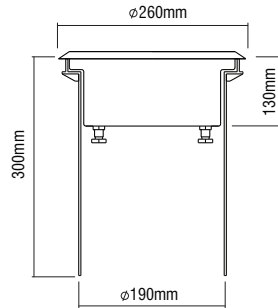
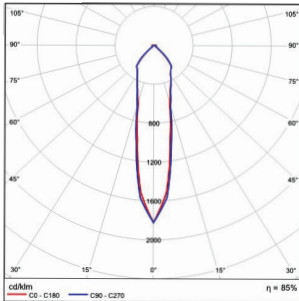
- Inox stainless steel body and trim.
- Tempered protection glass.
- Silicon gasket.
- Thermoplastic housing.
- 230V/50Hz.
- Supplied with 3x0,75mm NEOPRENE 1m cable.
- CRI: min. 80 / SDCM: 3
- Luminous Efficacy:  
4W 4000K 135 Lm/Watt 350mA  
4W 3000K 127 Lm/Watt 350mA

- Roll over weight  max. 1000kg with minimum speed drive 20km/h.

Code	Description	Kg
842395	LITHOS M5 LED 4W IP67 Neutral	0,800
842405	LITHOS M5 LED 4W IP67 Warm	0,800
800036	LED DRIVER 350mA 18W IP67	0,100

## LITHOS

## LITHOS L



- Inox stainless steel body and trim.
- High efficient reflectors in Medium and Wide versions.
- Tempered protection glass.
- Silicon gasket.
- 230V/50Hz.
- Dimmer Phase Cut.
- CRI: min. 80 / SDCM: 3
- Luminous Efficacy:  
15W 4000K 95 Lm/Watt  
15W 3000K 90 Lm/Watt

- Roll over weight  max. 2000kg with minimum speed drive 20km/h.

Code	Description	Kg
84241 ■ ■ 5	LITHOS L LED 15W IP67	4,000

## LED COLOUR CODES:

2 Warm 3 Neutral

## BEAM CODES:

01 spot 02 medium 03 wide



# LITHOS

