



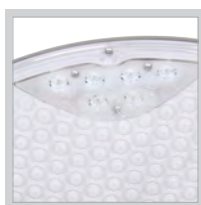
KEO

Luminaire design: Michel TORTEL

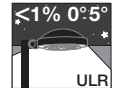
KEO is a decorative urban LED luminaire, primarily designed for pedestrian public spaces. Its design makes the best use of LED technology; in effect, this luminaire offers innovative visual comfort by way of a unique gentle light diffusing design.

To this end, the designer has created an original underside, in relief, which reduces glare at night without altering the lighting level. Available as an option, this wide, retro-lit, underside seduces with its subtle presence.

By day, a mirror effect dims the surface as you move away from the object and favours its integration into the environment, as does the simple and refined general design of **KEO**, offering a thin and equally discrete silhouette.







KEO



APPLICATIONS

- Mounting: Post-top
- Urban routes, pedestrian walkways, cycle paths, squares, parks and pedestrian areas.
- Recommended heights: 4 to 5 m

DESCRIPTION

- Injection die-cast aluminium body
- Two-material polycarbonate opal and clear bowl, with Led backlight as an option: white or other colours on request
- Polyester powder coating, any colour available
- IP66
- IK10
- Lenses **ORALENS**
- Colour temperature: 4000 K and 3000 K
- Class I or II
- Luminaire pre-wired in the factory (6 m)
- Luminaire eligible for Energy Saving Certificates

CITIZEN REFERENCE POINTS

- Materials used: Aluminium 70%, Plastic 20%, Steel 8%, Other 2%
- Complies with the RoHS directive
- ULR <math>< 1\%</math>
- High recyclability rate

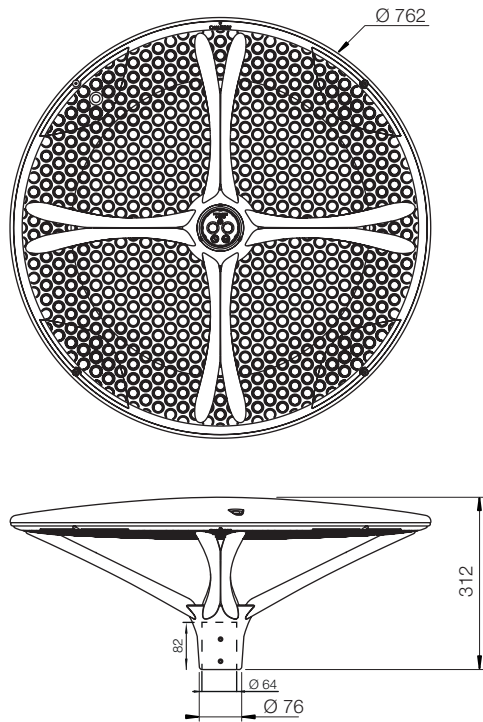
WATERPROOFING

- IP66 waterproofing in accordance with the standard EN 60 529
- Entry sleeve with membrane seal
- Extruded silicone gasket
- Breathing system with activated carbon filter

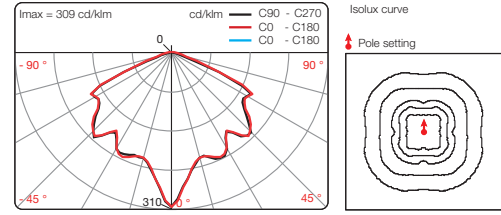
MECHANICAL INTERFACES

- Post top fastening pole \varnothing 60/62mm
- Post-top fixation for pole \varnothing 76mm with a spigot \varnothing 60 mm L 85 mm
For pole \varnothing 76mm top, optional spigot B (see page 246)

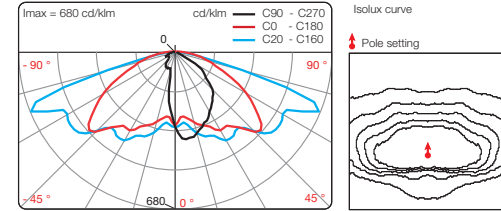
Post-top fixation for pole \varnothing 76mmPost top fastening pole \varnothing 60/62mm



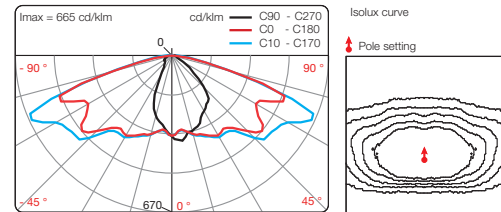
KEO ECL



KEO ERL



KEO ERE



KEY POINTS

		KEO
Applications		Urban routes, pedestrian walkways, cycle paths, squares, parks and pedestrian areas.
Recommended heights		4 to 5 m
Mounting		Post-top fastening on pole Ø 60/62mm
Dimensions	Ø	762 mm
	height	312 mm
Weight		14 kg
Windage area		0,08 m ²
Sources		specific Option: Led backlight of the bowl (white or other colour on request)
Optics and light distribution options		individual lenses: ECL, ERE, ERL
OPTIONS	POLEDRIVE (set in the bottom of the pole)	○
	Dimming 5 (preset)	○
	Motion (setting on site)	-
	Motion P (set in the bottom of the pole)	○
	Motion DALI (set in the bottom of the pole)	-
	Motion 5 (preset)	-
	DALI (preset)	○
	FC (preset)	Compatible with standard version, Dimming 5 or DALI option

Glossary:

● Standard ○ Option - Not available

E/L/P: Lighting/Luminaire/Projection, **R/C/T/F/P:** Road/Circulation/Path/Beam/Pedestrian walkway, **E/S/L/A/D/G:** Narrow/Standard/Wide/Asymmetric/Right/Left, **POLEDRIVE:** preset at the bottom of the pole / night dimming calculator with 2 configurable thresholds, set in the bottom of the pole, **Dimming 5:** night dimming calculator with 5 configurable thresholds, **Motion:** moving sensor, **Motion P:** Configurable offset presence detector at the foot of the pole, **Motion DALI:** Detector integrated to the luminaire, adjustable at pole base, **Motion 5:** Motion sensor and dimming calculator, **Motion COM:** Wireless detection and communication, **DALI:** compatible with the DALI protocol, **FC:** Compensated flux

BACKLIGHT OPTION



Blue Led backlight



Red Led backlight

• Other colours by design

MAINTENANCE

Luminaire maintenance

Interchangeability of the luminaire

LED Luminaires

Modern Streetfurniture

Waste bins

Bollards Light

tree grill

Bollards

Classic poles cast iron

Steel poles

MODERN POLES CAST IRON

Defence bollards

Drinkwater fountain

SEATING

TRAMWAY POLES

Modern LED luminaires

Classic luminaires

Classic street furniture

Ghm

Rue Antoine Durenne
52220 Sommevoire
France
Tel nr. 0033 3 25 55 23 03

ECLATEC

41 rue Lafayette
54320 Maxeville
France
Tel nr. 0033 3 83 39 38 28

Export internet : www.ghm-eclatec.com

Email export: info@ghm-eclatec.com