

HISTORY LED



IP

66

IK

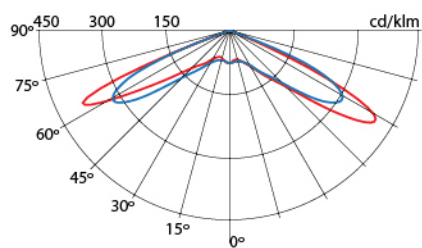
09



Modern decorative outdoor LED lamp for lighting boulevards, pedestrian routes, bicycle paths and residential area.

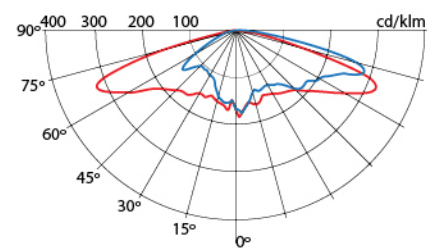
DISTRIBUTION CURVE

HISTORY LED 24W



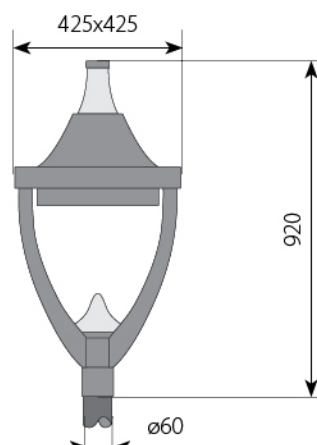
— 0°/180° — 90°/270°

HISTORY LED 74W



— 0°/180° — 90°/270°

DIMENSIONS



ADVANTAGES

- mounting directly on the pole
- filter enables the equalization of ambient and internal pressure
- glass diffuser, resistant to UV radiation
- optical system made in a modular form
- interchangeable lenses to achieve optimal lighting parameters



TECHNICAL DATA

Nominal luminous flux

HISTORY LED

LED number		16 LED	24 LED	32 LED	48 LED
Current 350mA	Luminous flux (lm)	2877	4316	5754	8631
	Power (W)	17	25	33	50
Current 500mA	Luminous flux (lm)	3826	5740	7653	11479
	Power (W)	24	36	48	72
Current 700mA	Luminous flux (lm)	5380	8070	10760	16140
	Power (W)	34	51	69	103
Current 1000mA	Luminous flux (lm)	7193	10789	14385	-
	Power (W)	50	75	100	-



Surface of wind exposure (CxS)

0,09 m²



Weight of the luminaire

7,7 kg

• Due to the optical systems and LED drivers used, differences of ± 8% luminous flux and power of the luminaire are allowed.

• The given parameters are examples as it is possible to adjust the supply current and change the luminaire power and luminous flux.

• Due to continuous development of LED technology, the parameters may change. • To get the latest information, please contact the company.



LED Chip
CREE XP-G3



min. 0,95



100 000 h
IES LM80-L90B10



CCT 2700-6500K
CRI ≥ 70



from -40°C to +60°C



9005

EASY AND SAFE MAINTENANCE

- maintenance without tools
- safety steel rope preventing opened cover
- knife connector

ADDITIONAL OPTIONS

- adjustable current in the range of 350-1050mA
- ability to adjust the power and luminous flux optimally to the project
- autonomic power control (Astro DIM)
- possibility of remote control and monitoring (DALI)
- step, remote or autonomic power control (STEP DIM)
- phase wire control (SD)
- working with light/motion sensors
- surge protection up to 10 kV
- overload or thermal protection
- soft-start – limitation of inrush current

