



ELYXE

Luminaire design: Luc DAVY

ELYXE cultivates a sense of paradox; on the one hand, elementary, rigorous, tight forms combine to construct a volume, on the other hand, a light, pure silhouette that happily fits in urban contexts.

ELYXE offers the choice of ways to light, whether it concerns creating an environment or searching for functional efficiency.



ORALED MODULE





ELYXE



APPLICATIONS

- Mounting: top, wall bracket top mounted or suspended
- Urban routes, pedestrian walkways, cycle paths, squares, parks and pedestrian areas.
- Recommended heights: 3 to 6 m

DESCRIPTION

- Injection die-cast aluminium body
- Extruded aluminium arms
- Control gear in the upper luminaire body
- Polyester powder coating, any colour available
- IP66
- IK08
- Class I or II
- Luminaire pre-wired in the factory (6 m)
- **ORALED 1** module with **ORALENS** lenses, module painted in sanded grey 2150 or 2900
- Colour temperature: 4000 K and 3000 K
- Luminaire eligible for Energy Saving Certificates

CITIZEN REFERENCE POINTS

- Materials used: Aluminium 89%, Other 5%, Steel 4%, Plastic 2%
- Complies with the RoHS directive
- ULR <math>< 1\%</math>
- High recyclability rate

WATERPROOFING

- IP66 waterproofing in accordance with the standard EN 60 529
- Extruded pneumatic silicone gasket
- Cable gland with anchoring device
- Breathing system with activated carbon filter

MECHANICAL INTERFACES

- Post top fastening on standard pole \varnothing 60/62mm
- Post top fastening on specific pole \varnothing 76mm with spigot \varnothing 60mm, L 85mm
For pole \varnothing 76mm top, optional spigot C (see page 246)
- Top mounted or suspended from an Indigo wall bracket with integrated connection box



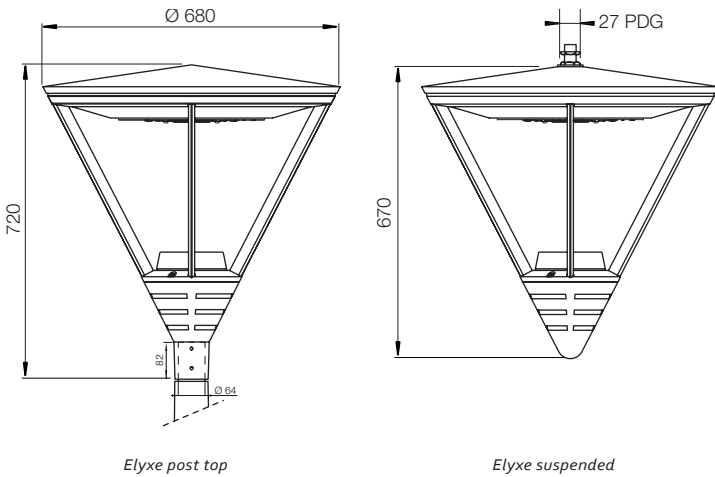
Top fixation for \varnothing 76 mm pole



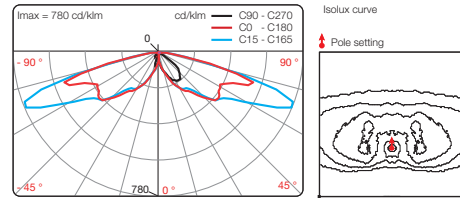
Top mounted Indigo wall-bracket



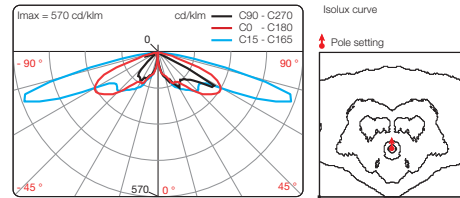
Suspended Indigo wall-bracket



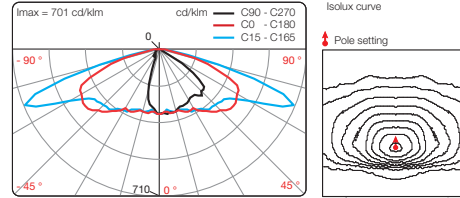
ELYXE ORALED ERS



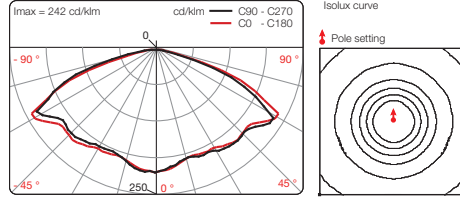
ELYXE ORALED ERL



ELYXE ORALED - LRM



ELYXE ORALED - ECL



KEY POINTS

		ELYXE
Applications		Urban routes, pedestrian walkways, cycle paths, squares, parks and pedestrian areas.
Recommended heights		3 to 6 m
Mounting		Post-top fastening on pole Ø 60/62mm
Dimensions	Ø	680 mm
	height	720 mm (post top Elyxe) and 670 mm (suspended Elyxe)
Weight		15,8 kg
Windage area		0,08 m ²
Source		ORALED 1
Sources access		Removable ORALED module
Optics and light distribution options		ERS, ERL, ECL, LRM
OPTIONS	POLEDRIVE (set in the bottom of the pole)	○
	Dimming 5 (preset)	○
	Motion (setting on site)	○
	Motion P (set in the bottom of the pole)	○
	Motion DALI (set in the bottom of the pole)	-
	Motion 5 (preset)	○
	Motion COM (setting on site)	○
	DALI (preset)	○
	FC (preset)	Compatible with standard version, Dimming 5, Motion 5 or DALI option

Glossary:

● Standard ○ Option - Not available

E/L/P: Lighting/Luminance/Projection, **R/C/T/F/P:** Road/Circulation/Path/Beam/Pedestrian walkway, **E/S/L/A/D/G:** Narrow/Standard/Wide/Asymmetric/Right/Left, **POLEDRIVE:** preset at the bottom of the pole / night dimming calculator with 2 configurable thresholds, set in the bottom of the pole, **Dimming 5:** night dimming calculator with 5 configurable thresholds, **Motion:** moving sensor, **Motion P:** Configurable offset presence detector at the foot of the pole, **Motion DALI:** Detector integrated to the luminaire, adjustable at pole base, **Motion 5:** Motion sensor and dimming calculator, **Motion COM:** Wireless detection and communication, **DALI:** compatible with the DALI protocol, **FC:** Compensated flux

MAINTENANCE

Opening and closing

Opening of the luminaire by the action of a hidden screw {1}

The upper body is held in position by a safety prop {2}

ORALED 1 maintenance

Direct access to the ORALED 1 module

Removable module interchangeable onsite



LED Luminaires

Modern Streetfurniture

Waste bins

Bollards Light

tree grill

Bollards

Classic poles cast iron

Steel poles

MODERN POLES CAST IRON

Defence bollards

Drinkwater fountain

SEATING

TRAMWAY POLES

Modern LED luminaires

Classic luminaires

Classic street furniture

Ghm

Rue Antoine Durenne
52220 Sommevoire
France
Tel nr. 0033 3 25 55 23 03

ECLATEC

41 rue Lafayette
54320 Maxeville
France
Tel nr. 0033 3 83 39 38 28

Export internet : www.ghm-eclatec.com

Email export: info@ghm-eclatec.com