



BEAUREGARD

Luminaire design: GHM

The worthy heir of the lampposts of yesteryear, this luminaire holds a unique place in city centre lighting; the LED technology, combined with a highly contemporary design, has given it a new lease of life. The **BEAUREGARD** luminaire thus perpetuates a familiar ambiance in the hearts of citizens for many years to come, while meeting all modern technical expectations.

Available in two sizes, in stainless steel or copper, this luminaire can be suspended or top-mounted. A range of bowls is available, depending on the effect sought.

In its LED version, which is very widespread nowadays, the **BEAUREGARD** luminaire in size 2 takes a SOMLED 1 module or standardised BLS strips.



BLS STRIPS



SOMLED 1 MODULE



Beauregard on N°7 bracket



Beauregard on Paris II bracket



Beauregard on Metropole I bracket



BEAUREGARD II



APPLICATIONS

- Mounting: suspended et post top
- Recommended heights: 3 to 8 m
- Urban streets, pedestrians, cycle paths, squares

DESCRIPTION

- Four-legged holder in injected aluminium
- Fitting and dome in stainless steel or copper (option)
- Embellishment screws made of brass
- Deep, short or flat bowls
- Structured or flat bowls
- Stainless steel version: Polyester powder coating, standard colour RAL 9005. Other colours on request
- Copper fitting (option): polyester varnish
- IP66
- IK10
- Class I or II
- SOMLED 1 module or BLS STRIPS
- Colour temperature: 4000 K and 3000 K
- Luminaire eligible for Energy Saving Certificates

CITIZEN REFERENCE POINTS

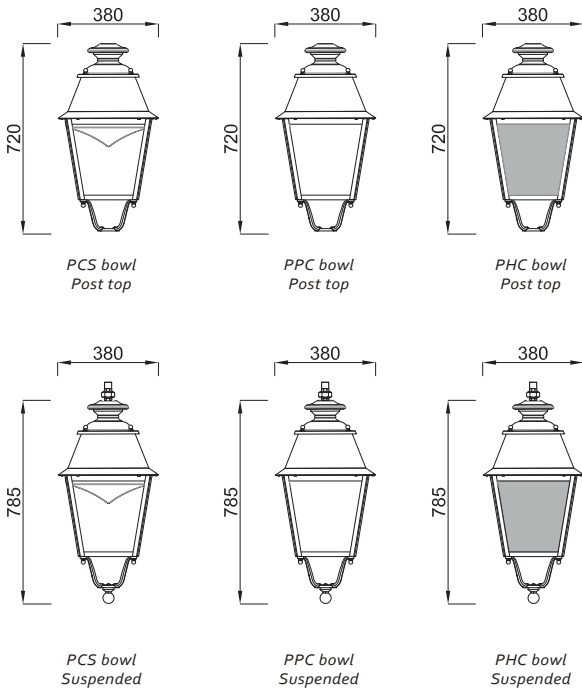
- Materials used: Steel 47%, Aluminium 38%, Other 10%, Plastic 5%
- Complies with the RoHS directive
- ULR < 1%
- High recyclability rate

WATERPROOFING

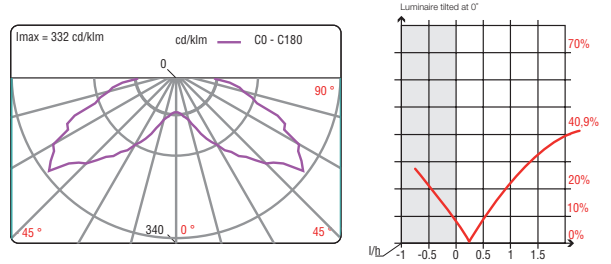
- IP65 waterproofing in accordance with the standard EN 60 529
- Extruded silicone gasket
- Breathing system with activated carbon filter

MECHANICAL INTERFACES

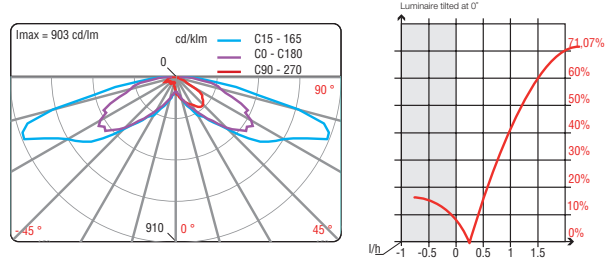
- Post top luminaire: gliding hole for Ø27 pdg (see page 246 - K)
Optional post top 27 PDG (3/4") for 60/62mm pole {1}
- Suspended luminaire: threaded swivel joint Ø 27 pdg (see page 246 - H)



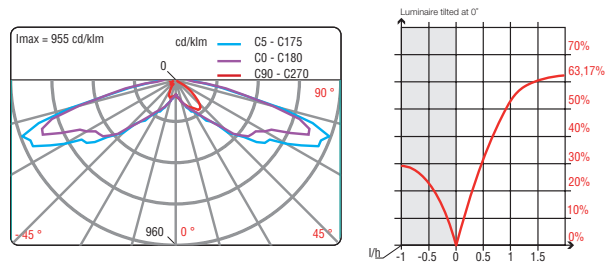
B2 - SOMLED 1 - ECL (B2 suspended, deep bowl)



B2 - SOMLED 1 - ERL (B2 suspended, deep bowl)



B2 - SOMLED 1 - ERS (B2 suspended, deep bowl)



KEY POINTS

		BEAUREGARD II
Applications		Urban streets, pedestrians, cycle paths, squares
Recommended heights		3 to 8 m
Mounting		Post top and suspended
Dimensions	width height	380 mm 720 mm
Weight		10 Kg
Windage area		0,13 m ² short bowl 0,20 m ² deep bowl
Sources		SOMLED 1 BLS STRIPS
Optics and light distribution options		SOMLED 1: ECL, ERS, ERL BLS STRIPS: ECa, ERS, ERL, LRL, LRS, ERE
OPTIONS	POLEDRIIVE (set in the bottom of the pole)	○
	Dimming 5 (preset)	○
	Motion (setting on site)	○
	Motion P (set in the bottom of the pole)	○
	Motion DALI (set in the bottom of the pole)	-
	Motion 5 (preset)	○
	DALI (preset)	○
	FC (preset)	Compatible with standard version, Dimming 5 or DALI option

Glossary:

● Standard ○ Option - Not available

E/L/P: Lighting/Luminaire/Projection, **R/C/T/F/P:** Road/Circulation/Path/Beam/Pedestrian walkway, **E/S/L/A/D/G:** Narrow/Standard/Wide/Asymmetric/Right/Left, **POLEDRIIVE:** preset at the bottom of the pole / night dimming calculator with 2 configurable thresholds, set in the bottom of the pole, **Dimming 5:** night dimming calculator with 5 configurable thresholds, **Motion:** moving sensor, **Motion P:** Configurable offset presence detector at the foot of the pole, **Motion DALI:** Detector integrated to the luminaire, adjustable at pole base, **Motion 5:** Motion sensor and dimming calculator, **Motion COM:** Wireless detection and communication, **DALI:** compatible with the DALI protocol, **FC:** Compensated flux

MAINTENANCE

Opening and closing

Opening of the luminaire by 2 quarter-turn screws. Holding the luminaire cover in the open position, held by a steel cable.

Module maintenance

Direct access to the LED module after opening the cover. Power supply by quick connectors. Removable module.



LED Luminaires

Modern Streetfurniture

Waste bins

Bollards Light

tree grill

Bollards

Classic poles cast iron

Steel poles

MODERN POLES CAST IRON

Defence bollards

Drinkwater fountain

SEATING

TRAMWAY POLES

Modern LED luminaires

Classic luminaires

Classic street furniture

Ghm

Rue Antoine Durenne
52220 Sommevoire
France
Tel nr. 0033 3 25 55 23 03

ECLATEC

41 rue Lafayette
54320 Maxeville
France
Tel nr. 0033 3 83 39 38 28

Export internet : www.ghm-eclatec.com

Email export: info@ghm-eclatec.com