



Réalité
Augmentée

ALOA

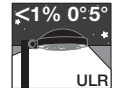
Luminaire design: Jean-Michel WILMOTTE

ALOA brings organic goodness to the city centre; its transparent lightness draws its inspiration from tropical plants with their blooms open wide.

When night comes, this sheet of light expands its protective veil and no passer-by escapes its enveloping ambience.







ALOA



APPLICATIONS

- Mounting: top or bitop, wall-mounted bracket, pathway bracket
- Urban routes, pedestrian walkways, cycle paths, squares, parks and pedestrian areas.
- Recommended heights: 4 to 6 m

DESCRIPTION

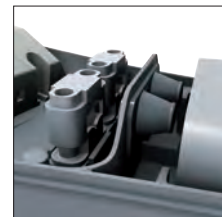
- Die-cast aluminium body with lattice shape
- Polyester powder coating, any colour available
- IP66
- IK08
- Class I or II
- Luminaire pre-wired in the factory (6 m)
- Lenses **ORALENS**
- Colour temperature: 4000 K
- Luminaire eligible for Energy Saving Certificates

CITIZEN REFERENCE POINTS

- Materials used: Aluminium 84%, Other 7%, Steel 6%, Plastic 3%
- Complies with the RoHS directive
- ULR < 1%
- High recyclability rate

WATERPROOFING

- IP66 waterproofing in accordance with the standard EN 60 529
- Extruded silicone gasket
- Breathing system with activated carbon filter



MECHANICAL INTERFACES

- Top or Bitop
- Wall-mounted bracket (maximum 350mA)
- Pathway bracket
- Steel pole \varnothing 60/62mm (see page 246 - D)



Top



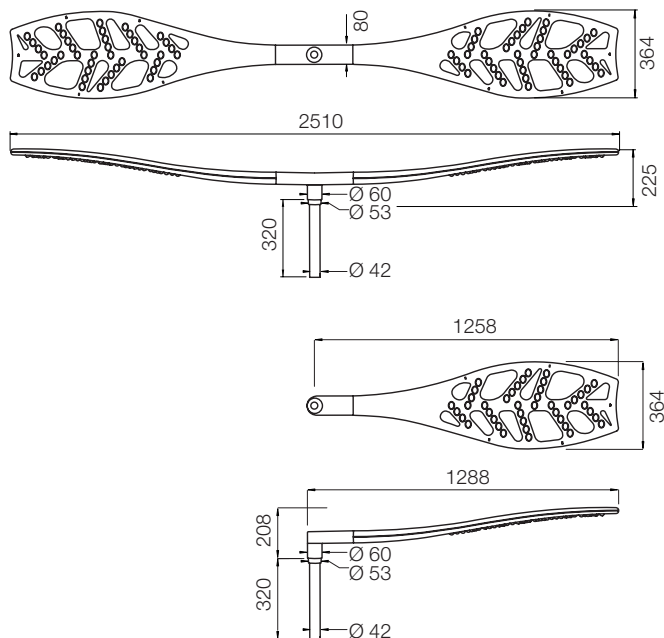
Bitop



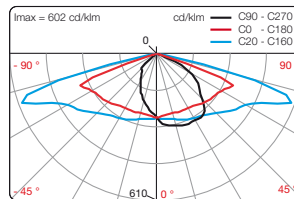
Wall-mounted bracket



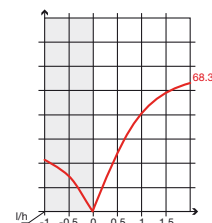
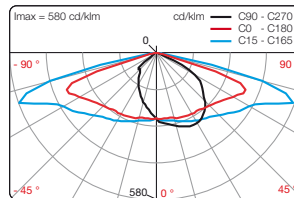
Pathway bracket



ALOA LRL



ALOA LRS



KEY POINTS

		ALOA
Applications		Urban routes, pedestrian walkways, cycle paths, squares, parks and pedestrian areas.
Recommended heights		4 to 6 m
Mounting		Post-top fastening on pole Ø 60/62mm
Dimensions	Length	1258 mm
	width	364 mm
	height	208 mm
Weight		8,1 kg
Windage area		0,05 m ²
Sources		Specific
Sources access		Opening with 8 high-helix lead screws Direct access to the LED bars and gear
Optics and light distribution options		Individual lenses: LRS, LRL
OPTIONS	POLEDRIIVE (set in the bottom of the pole)	-
	Dimming 5 (preset)	○*
	Motion (setting on site)	○*
	Motion P (set in the bottom of the pole)	-
	Motion DALI (set in the bottom of the pole)	-
	Motion 5 (preset)	-
	DALI (preset)	-
	FC (preset)	-

* These options require a gear box housed into the pole

Glossary:

● Standard ○ Option - Not available

E/L/P: Lighting/Luminance/Projection, **R/C/T/F/P:** Road/Circulation/Path/Beam/Pedestrian walkway, **E/S/L/A/D/G:** Narrow/Standard/Wide/Asymmetric/Right/Left, **POLEDRIIVE:** preset at the bottom of the pole / night dimming calculator with 2 configurable thresholds, set in the bottom of the pole, **Dimming 5:** night dimming calculator with 5 configurable thresholds, **Motion:** moving sensor, **Motion P:** Configurable offset presence detector at the foot of the pole, **Motion DALI:** Detector integrated to the luminaire, adjustable at pole base, **Motion 5:** Motion sensor and dimming calculator, **Motion COM:** Wireless detection and communication, **DALI:** compatible with the DALI protocol, **FC:** Compensated flux

SEPARATE BOX HOUSED IN THE BOTTOM OF THE POLE

- Gear boxes dimensions (into the pole): width (l) x depth (P) x height (h)
- Intensity (I)
- Inspection door height: 500mm
- Without options with I < 350mA, Class I and II, 1 and 2 bulbs: without cabinet
- Without options with I > 350mA, 1 bulb in Class II: 63x56x683
- Without options with I > 350mA, 1 and 2 bulbs in Class I, or 2 bulbs in Class II: 75x98x725
- With Motion and Dimming 5 options, Class I and II, 1 and 2 bulbs: 75x98x725

MAINTENANCE

Opening and closing

Opening with 8 high-helix lead screws {1}

Lighting equipment maintenance

Direct access to the power supply and control card (350 mA).
Option: require a gear box housed into the pole

Source maintenance

Direct access to the LED bars and gear



LED Luminaires

Modern Streetfurniture

Waste bins

Bollards Light

tree grill

Bollards

Classic poles cast iron

Steel poles

MODERN POLES CAST IRON

Defence bollards

Drinkwater fountain

SEATING

TRAMWAY POLES

Modern LED luminaires

Classic luminaires

Classic street furniture

Ghm

Rue Antoine Durenne
52220 Sommevoire
France
Tel nr. 0033 3 25 55 23 03

ECLATEC

41 rue Lafayette
54320 Maxeville
France
Tel nr. 0033 3 83 39 38 28

Export internet : www.ghm-eclatec.com

Email export: info@ghm-eclatec.com