

A-BORA LED



IP

66

IK

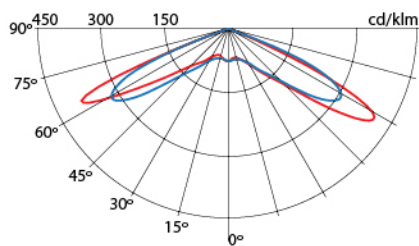
08



Modern fixtures A-BORA LED with optimized photometric performance and low cost investment. Perfect solution to improve level of light intensity in cities while saving energy.

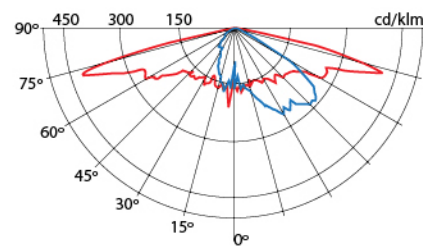
DISTRIBUTION CURVE

A-BORA LED 49W



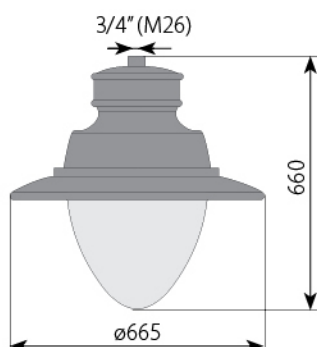
— 0°/180° — 90°/270°

A-BORA LED 74W



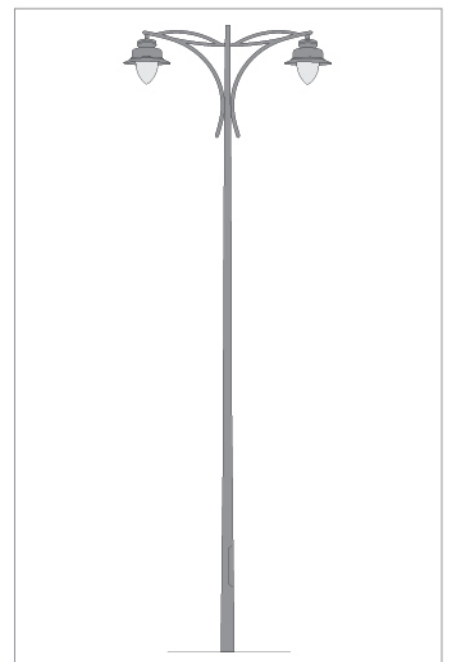
— 0°/180° — 90°/270°

DIMENSIONS



ADVANTAGES

- lamp body made from high quality die cast aluminum and aluminum sheet with powder painting
- transparent PC cover resistant to impact
- optical system made in a modular form
- interchangeable lenses to achieve optimal lighting parameters



TECHNICAL DATA

Nominal luminous flux

A-BORA LED

LED number		16 LED	24 LED	32 LED	48 LED
Current 350mA	Luminous flux (lm)	2877	4316	5754	8631
	Power (W)	17	25	33	50
Current 500mA	Luminous flux (lm)	3826	5740	7653	11479
	Power (W)	24	36	48	72
Current 700mA	Luminous flux (lm)	5380	8070	10760	16140
	Power (W)	34	51	69	103
Current 1000mA	Luminous flux (lm)	7193	10789	14385	-
	Power (W)	50	75	100	-



Surface of wind exposure (CxS)

0,09 m²

Weight of the luminaire

5 kg

• Due to the optical systems and LED drivers used, differences of $\pm 8\%$ luminous flux and power of the luminaire are allowed.

• The given parameters are examples as it is possible to adjust the supply current and change the luminaire power and luminous flux.

• Due to continuous development of LED technology, the parameters may change. • To get the latest information, please contact the company.

LED Chip
CREE XP-G3

min. 0,95

100 000 h
IES LM80-L90B10CCT 2700-6500K
CRI ≥ 70 

from -40°C to +60°C



9005

EASY AND SAFE MAINTENANCE

- maintenance without tools
- reduction of the fixture's power

ADDITIONAL OPTIONS

- adjustable current in the range of 350-1050mA
- ability to adjust the power and luminous flux optimally to the project
- autonomic power control (Astro DIM)
- possibility of remote control and monitoring (DALI)
- step, remote or autonomic power control (STEP DIM)
- phase wire control (SD)
- working with light/motion sensors
- surge protection up to 10 kV
- overload or thermal protection
- soft-start – limitation of inrush current
- optional equipment – ZHAGA or NEMA socket

