

iPetra



iPetra is a modern shaped and classically inspired street luminaire. Timeless design illuminates and enhances residential areas, parks and low traffic urban roads. BSISQ® LED Module integrated. Architecturally adaptable, sleek and seamless bollard type complements the family.

Designed to last in extremely harsh environments.

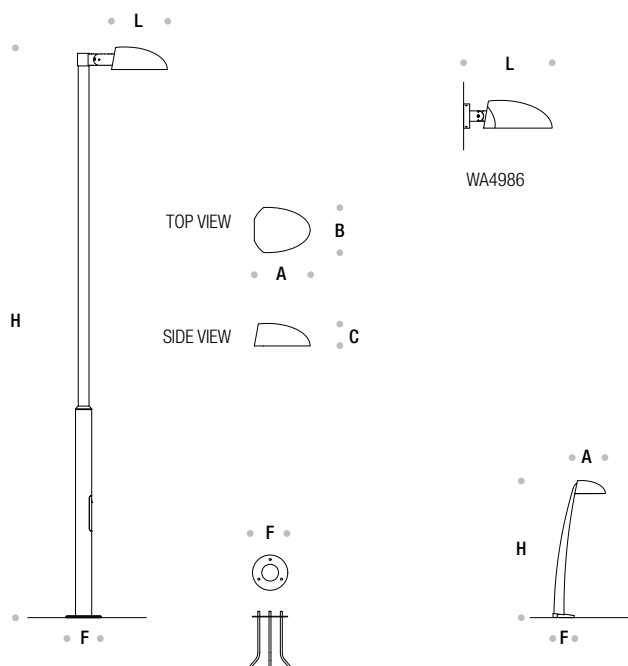
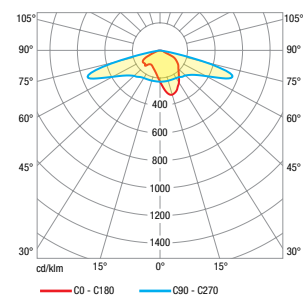




CODE	POWER CONSUMPTION	LUMEN OUTPUT (lm) 3000K / 4000K	COLOUR TEMPERATURE	A (mm)	B (mm)	C (mm)	H (mm)	F (mm)	L (mm)
UA1481	54W	5940 / 6480	3000K / 4000K	395	320	155	4000 / 7000	250	485
UA1482	81W	8910 / 9720	3000K / 4000K	395	320	155	4000 / 7000	250	485
UA1483	108W	11880 / 12960	3000K / 4000K	395	320	155	4000 / 7000	250	485
WA4986	54W	5940 / 6480	3000K / 4000K	395	320	155	-	-	510
LB2332	18W	1980 / 2160	3000K / 4000K	235	200	100	1065	165	400

*Poles to be ordered separately. See tables on pages 386-391

LED Type	High efficiency LEDs, available in 2700K, 3000K, 4000K, 5000K, 6500K CCT tolerance within a 3-step MacAdams ellipse and LM80 compliant.
Nominal Voltage	220V-240V AC, 50/60Hz
Color Rendering Index	CRI> 80 standard and CRI>90 on request.
Light Distribution	Rotationally symmetrical 30°/ 60° / 90° or asymmetrical M3 street optics.
Materials	Corrosion resistant double layer polyester powder coated paint finish die cast aluminium housing with stainless steel screws (A4 grade) and silicone gaskets. Power unit is built in. Available in anthracite gray as a standard finish or any desired RAL colour. BSISQ® LED Module.
Optional Coating	Marine grade.
Diffuser	Thermal-shock resistant tempered glass.
LED Specification	L90B50 > 100000 hours life time.
Energy Efficiency Class (EEC)	A++
Operating Temperature	-40°C / +55°C
Power Factor	>0.95
Control Systems	DALI Interface.
Protection Class	IP66
Impact Resistance	IK08
Insulation Class	Class I
Conformity	Complies with European Standards EN 60598 and CE certified.



iPetra Wall WA4986